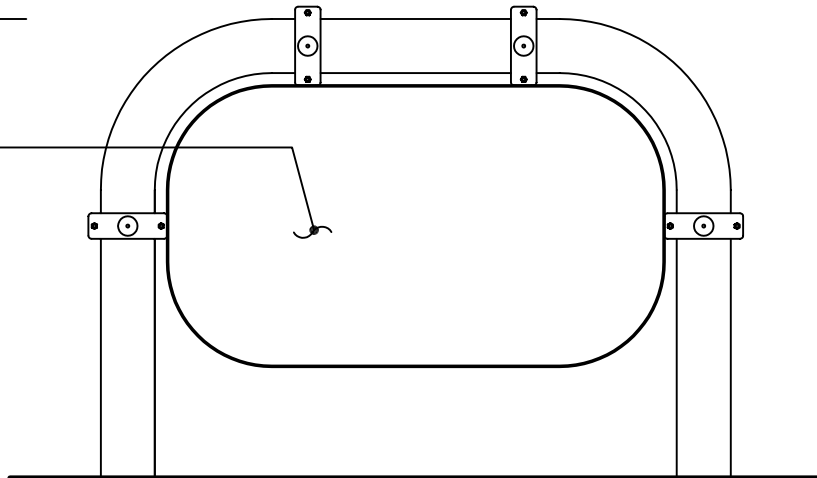


TOP VIEW

3'-2 1/4"
(972 mm)

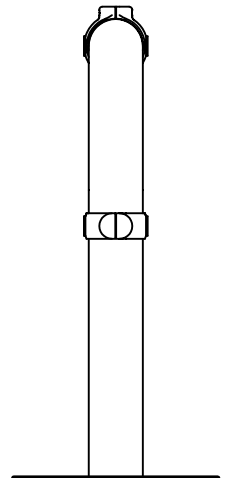
SIGN PANEL



0'-0"

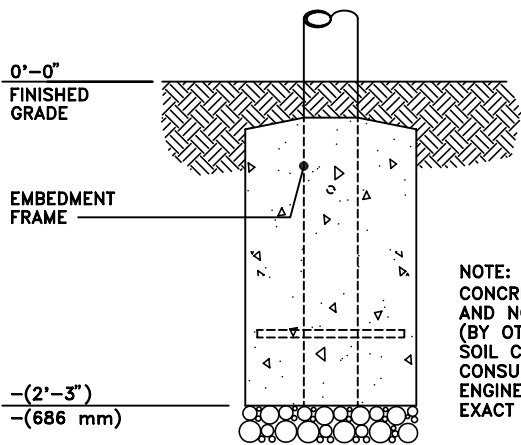
FINISHED GRADE

FRONT VIEW



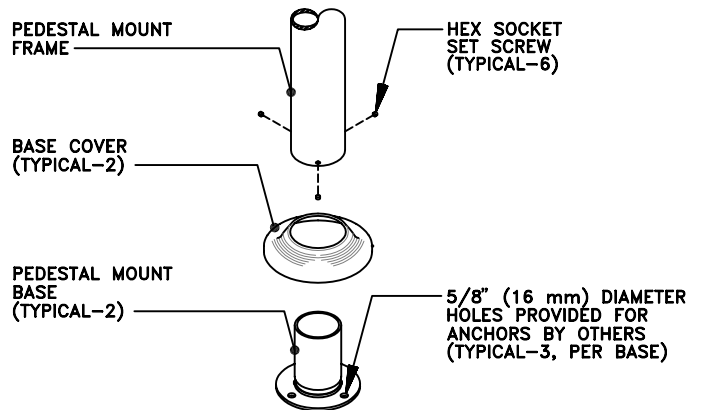
END VIEW

NOTE: SEE DETAILS AT BELOW FOR MOUNTING INDIVIDUAL MODELS.



NOTE:
CONCRETE FOOTING
AND NO. 4 REBAR
(BY OTHERS) PER LOCAL
SOIL CONDITIONS,
CONSULT PROJECT
ENGINEER FOR
EXACT REQUIREMENTS.

2186-4-E (EMBEDMENT MOUNTING)



2186-4-P (PEDESTAL MOUNTING)

This drawing reveals the copyrighted intellectual property of Columbia Cascade Company. Not for use by others without our express, written authorization.
Authorization for use is hereby granted to architects, landscape architects and similar design professionals solely for the purpose of specifying TimberForm products.

COLUMBIA CASCADE COMPANY
Makers of TimberForm®, PipeLine®, RePlay®, TimberForm®-2, InterPlay®, CycLoops® and CycLocker® Products.

1300 S.W. Sixth Avenue, Suite 310 Telephone 503/223-1157
Portland, Oregon 97201-3464 Facsimile 503/223-4530
U.S.A.

Title:
**TIMBERFORM METAL SIGNS
MODEL NO. 2186-4
RECTANGULAR METAL SIGN**



Scale 3/4" = 1'-0" Drawn by: AT 07-04-10
Ck'd by:

WWW.TIMBERFORM.COM

Drawing No.
W-2186-4

Sheet
1 of 1